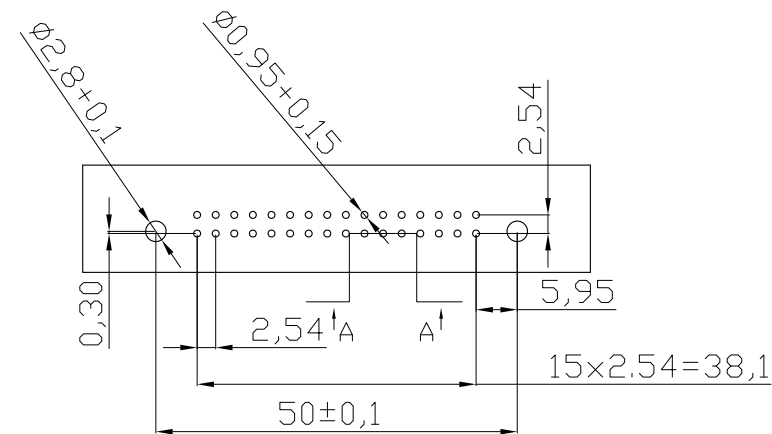
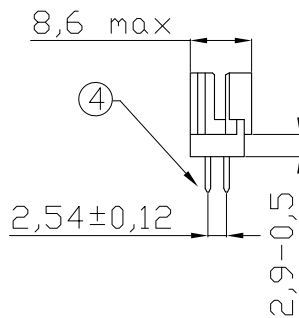
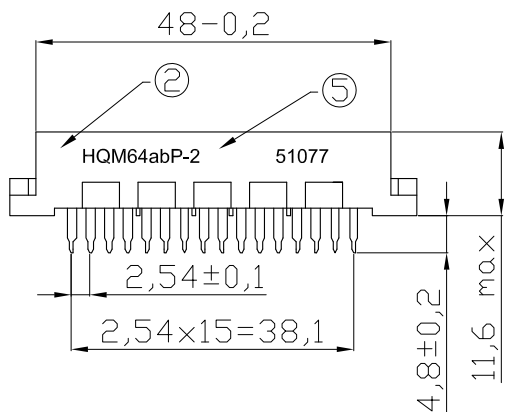


Recommended Hole Specifications
Section A-A
Scale 6:1



Recommended PCB Hole Layout
Component Side
Scale 1:1

NOTES:

- ① Connector Meets Requirement OF DIN 41612
- ② Material:
 - 1.Housing : Glass-Filled PBT. Color: Grey, UL 94V-0
 - 2.Contact : Copper Alloy
- ③ Contact Mating Side Length
 - Standard :5.05-0.25mm
 - Extended :5,6+0,2/0,05mm
 - Short :4.25+0.1/-0.05 mm
- ④ Contact Finish(Option in Part Number "x")
 - 1: 25µ" (0.63µm)Pd/Ni and 2µ"Gold Plating on Mating Area ,100µ"(2.54µm)Tin Plating on Tail Area, Flash Gold Plating on Non-mating Area,50µ" (1.27µm)Nickel Underplate All Over
 - 2: 12µ" (0.30µm)Pd/Ni and 2µ"Gold Plating on Mating Area ,100µ"(2.54µm)Tin Plating on Tail Area, Flash Gold Plating on Non-mating Area,50µ" (1.27µm)Nickel Underplate All Over
 - Blank: Flash Gold Plating on mating Area and non-mating Area, Tin plating in tail Area,Nickel Underplate All Over
- ⑤ Connector Printed with Part Number,and Batch Number

RoHS compliant

Scale	1:1						Date	Name	Customer-No.	
TOLERANCE							Drawn	09.09.2009	Dean	
X.	±0.25						Approved	07.06.2010	Hellwig	
X.X	±0.1									
X.XX	±0.05									
X.XXX	±0.012	②	Modify plating spec.	07.06.2010	Dean	ASSMANN WSW components			Drawing-No.	
DIM	TOL	①	Drawn	09.09.2009	Dean				ASS 3713 CO	rev02
Angle	±1°								Replace	Sheet
		Id.	Modification	Date	Name					



Customer-No.	
ASSMANN WSW-No. A-HQM32ABP-x	
Drawing-No.	ASS 3713 CO
Replace	rev02
Sheet	