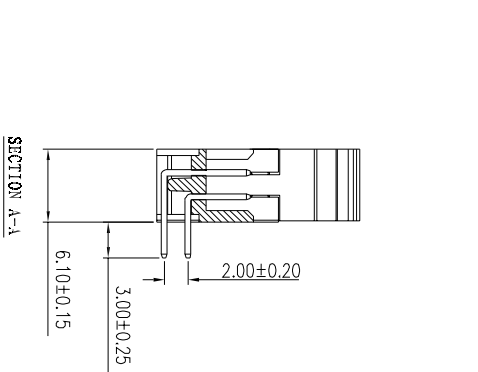
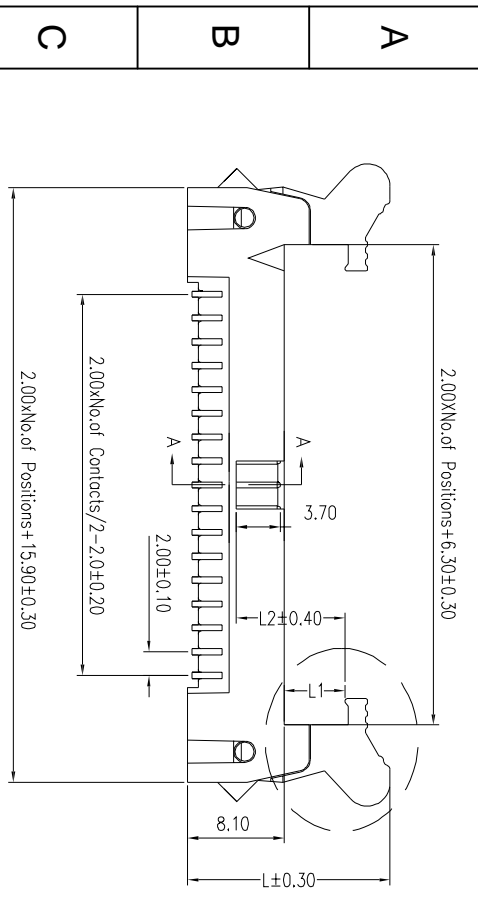


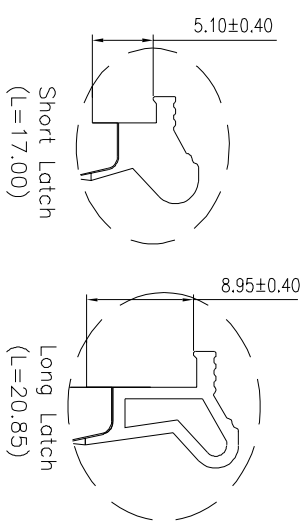
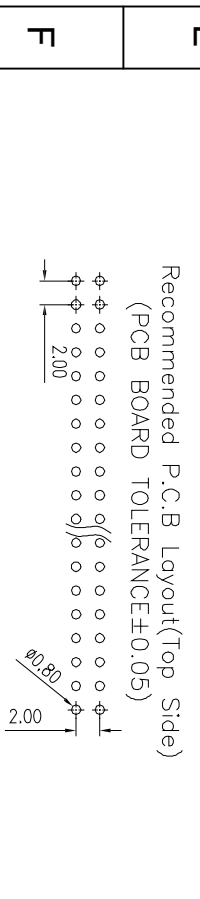
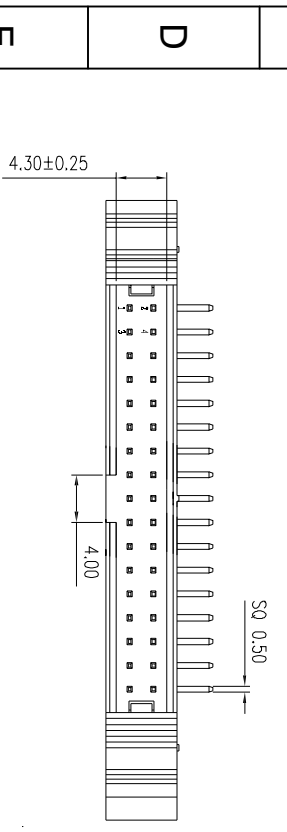
1	2	3	4	5	6	7
---	---	---	---	---	---	---



NOTES:

MATERIAL
 1. Insulator Material: PA9T+30%GF(UL94V-0), Black
 2. Contact Material : Brass
 3. Contact Plating : Gold Flash Over Ni
ELECTRICAL
 1. Current Rating : 2.0Amps/contact max
 2. Withstand Continuous Voltage : 500V AC/DC
 3. Contact Resistance : 20mΩ/contact max
 4. Insulation Resistance: 1000MΩ min at Voltage=100V
ENVIRONMENTAL
 1. Operation Temperature: -40°C to +105°C
 Packing : Tube

Order Code:
 AWHW-200-xxRT12: Short Latch
 AWHW-200-xxRT13: Long Latch



Item	Short Latch	Long Latch
L	17.00	20.85
L1	5.10	8.95
L2	9.10	12.85

RoHS compliant
 Unit: mm

Scale	Free TOLERANCE	Free	Customer-No.
X.	±X.X		
X.X	±0.40	Drawn	08.01.2018 Winnie
X.XX	±0.25	Approved	08.01.2018 Winnie
X.XXX	±0.15	Update the P/N & latch on the drawing	
DIM	TOL	①	08.01.2018 Winnie
Angle	±5°	②	08.01.2018 Winnie
		Id.	Drawn
		Modification	
		Date	
		Name	



ASSMANN WSW-No.	AWHW-200-xxRT12
	AWHW-200-xxRT13
Drawing-No.	ASS 7853 CO
Replace	rev01
Sheet	

1	2	3	4	5	6	7
---	---	---	---	---	---	---