

1

2

3

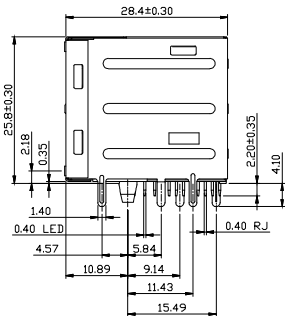
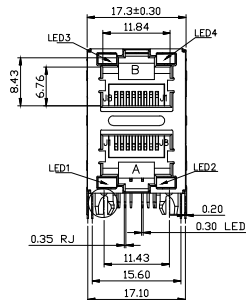
4

5

6

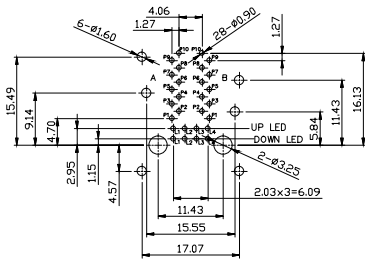
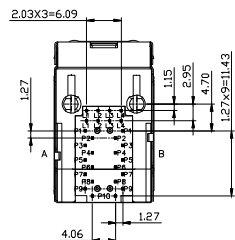
7

A



B

C



Schematic:10/100

PC Board Layout Component Side Shown

Notes:

1. RJ45 10/100 Base-Tx Transformer Jack With Transformer Impedance Resistor/High Voltage Capacitor.
2. Size Same As RJ-45 Modular Jack To Save PCB Space.
3. Reduce EMI Radiation, Improve EMI Performance.
4. Designed For Network Interface Card Application.
5. Designed To Meet IEEE 802.3u Requirement.
6. Designed For 100 Base Transmission over UTP-5 Cable.

Electrical Specifications:

1. Inductance At 100 KHz, 100 mV 8mADC Bias: 350 uH Min.
2. Leakage Inductance 0.4 uH Max. @100KHz 100mV
3. Insertion Loss: 1.1 dB Max. @ 1-100 MHz
4. Return Loss: 18dB Min. @ 1-30MHz
16dB Min. @ 30-60MHz
12dB Min. @ 60-80MHz
5. Cross Talk: 30dB Min. @ 1-100MHz
6. Common Mode Rejection: 30dB Min. @1-100MHz
7. Isolation Voltage @60Hz:1500Vrms(Input To Output) 60 Seconds

Mechanical:

1. Housing Material : HIGH Temp UL94V-0
2. Contact Material : Phosphor Bronze T=0.30mm
3. Plating: Gold Plating Over Nickel.
4. Operating Life : 750 Cycles Min.
5. Shield Material : 0.20mm THICKNESS BRASS Plating Nickel.

Environmental:

1. Storage: -40°C TO +85°C.
 2. Operation: -40°C TO +85°C.
 3. Soldering Temperature:255~265°C (5~10 Seconds)
- Mates With Modular Plug Conforming To TIA-1096-A

A

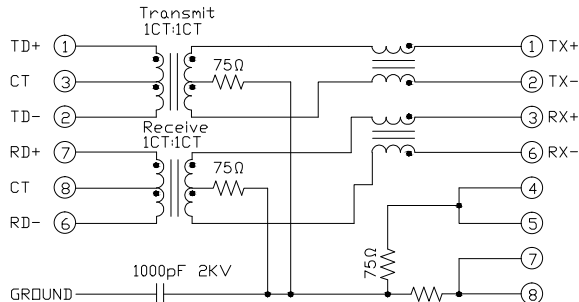
B

C

D

E

F



TYPE3

ORDER CODE:

A-MJT-8-DA-xTP-SGY1

G: Gold Flash
P: 15u" Au
H: 30u" Au

	LED 1	LED 2
DOWN	L4 → GREEN → L3	L2 → YELLOW → L1
UP	L8 → GREEN → L7	L6 → YELLOW → L5

G

RoHS compliant
Unit: mm

Scale	Free
TOLERANCE	
X.X	±0.20
X.XX	±0.15
X.XXX	±0.10
DIM	TOL
X.X°	±5.0°
Angle	TOL

①	Add page3&4 for1000 BASE-T version	24.01.2022	Luca
②	Drawn	26.02.2021	Luca
Id.	Modification	Date	Name



Description: Modular Connector	
RJ45 Jack / 2x1 / 10/100 Base / without EMI TABS	
ASSMANN WSW-No. A-MJT-8-DA-xTP-SGY1	
Drawing-No.	rev01
ASS 8850 CO	
Customer-No.	Sheet 1/4

G

H

1

2

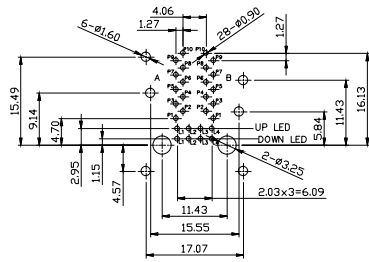
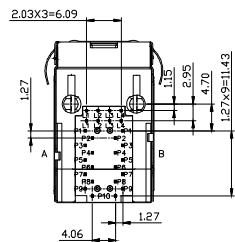
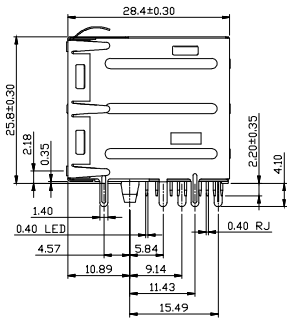
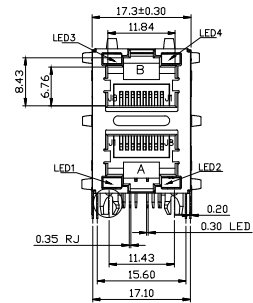
3

4

5

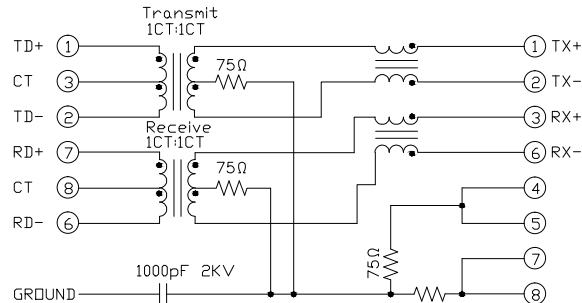
6

7



Schematic:10/100

PC Board Layout Component Side Shown



TYPE3

ORDER CODE:

A-MJT-8-DA-xTP-SGY2

G: Gold Flash
P: 15u" Au
H: 30u" Au

	LED 1	LED 2
DOWN	L4 → L3 GREEN	L2 → L1 YELLOW
UP	L8 → L7 GREEN	L6 → L5 YELLOW

Notes:

- RJ45 10/100 Base-Tx Transformer Jack With Transformer Impedance Resistor/High Voltage Capacitor.
- Size Same As RJ-45 Modular Jack To Save PCB Space.
- Reduce EMI Radiation, Improve EMI Performance.
- Designed For Network Interface Card Application.
- Designed To Meet IEEE 802.3u Requirement.
- Designed For 100 Base Transmission over UTP-5 Cable.

Electrical Specifications:

- Inductance At 100 KHz, 100 mV 8mADC Bias: 350 uH Min.
- Leakage Inductance 0.4 uH Max. @100KHz 100mV
- Insertion Loss: 1.1 dB Max. @ 1-100 MHz
- Return Loss: 18dB Min. @ 1-30MHz
16dB Min. @ 30-60MHz
12dB Min. @ 60-80MHz
- Cross Talk: 30dB Min. @ 1-100MHz
- Common Mode Rejection: 30dB Min. @1-100MHz
- Isolation Voltage @60Hz:1500Vrms(Input To Output) 60 Seconds

Mechanical:

- Housing Material : HIGH Temp UL94V-0
- Contact Material : Phosphor Bronze T=0.30mm
- Plating: Gold Plating Over Nickel.
- Operating Life : 750 Cycles Min.
- Shield Material : 0.20mm THICKNESS BRASS Plating Nickel.

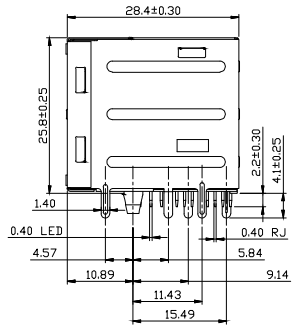
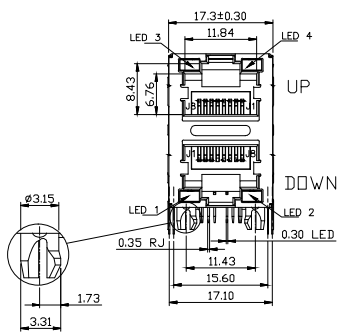
Environmental:

- Storage: -40°C TO +85°C.
- Operation: -40°C TO +85°C.
- Soldering Temperature:255~265°C (5~10 Seconds)

Mates With Modular Plug Conforming To TIA-1096-A

RoHS compliant
Unit: mm

Scale	Free							Date	Name	Description:	Modular Connector
TOLERANCE								Drawn	26.02.2021	Luca	RJ45 Jack / 2x1 / 10/100 Base / with EMI TABs
X.X	±0.20							Approved		Luca	ASSMANN WSW-No.
X.XX	±0.15										A-MJT-8-DA-xTP-SGY2
X.XXX	±0.10										Drawing-No.
DIM	TOL	①	Add page3&4 for1000 BASE-T version	24.01.2022	Luca		ASS 8850 CO		rev01	H	
X.X°	±5.0°	②	Drawn	26.02.2021	Luca		Customer-No.		Sheet		
Angle	TOL	Id.	Modification	Date	Name				2/4		



ORDER CODE:

A-MJT-8-DA-xTP-SGY3

G: Gold Flash
P: 15u" Au
H: 30u" Au

Notes:

1. RJ45 1000 Base-Tx Transformer Jack With Transformer Impedance Resistor/High Voltage Capacitor.
2. Size Same As RJ-45 Modular Jack To Save PCB Space.
3. Reduce EMI Radiation, Improve EMI Performance.
4. Designed For Network Interface Card Application.
5. Designed To Meet IEEE 802.3u Requirement.
6. Designed For 1000 Base Transmission over UTP-5 Cable.

Electrical Specifications:

1. Inductance At 100 KHz, 100 mV 8mA DC Bias: 350 uH Min.
2. Leakage Inductance 0.3 uH Max. @100KHz 100mV
3. Insertion Loss: 1.1 dB Max. @ 1-100 MHz
4. Return Loss: 18dB Min. @ 1-30 MHz
16dB Min. @ 30-60 MHz
12dB Min. @ 60-80 MHz
10dB Min. @ 80-100 MHz
5. Cross Talk: 1-100MHz 30dB Min.
6. Common Mode Rejection: 30dB Min. @1-100MHz

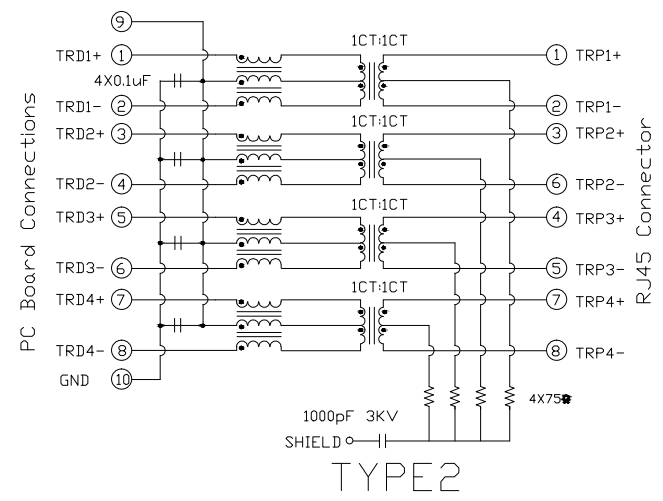
Mechanical:

1. Housing Material : HIGH Temp.BK. UL94V-0
2. Contact Material : Phosphor Bronze T=0.30mm
3. Plating : Gold Plating Over Nickel.
4. Operating Life : 750 Cycles Min.
5. Shield Material : 0.20mm THICKNESS BRASS Plating Nickel.

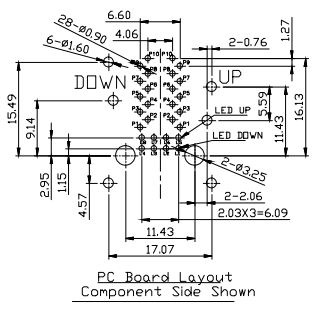
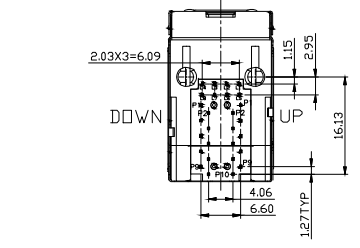
Environmental:

1. Storage: -40°C TO +85°C.
2. Operation: -0°C TO +70°C.
3. Wave Soldering Temperature: 255~265°C (<5~10 Seconds) HIGH TEMP. Mates With Modular Plug Conforming To TIA-1096-A

Schematic:GIGA



TYPE 2



	LED 1	LED 2
DOWN	L4 → L3 GREEN	L2 → L1 YELLOW
UP	L8 → L7 GREEN	L6 → L5 YELLOW

RoHS compliant
Unit: mm

Scale	Free
TOLERANCE	
X.X	±0.20
X.XX	±0.15
X.XXX	±0.10
DIM	TOL
X.X°	±5.0°
Angle	TOL

①	Add page3&4 for1000 BASE-T version	24.01.2022	Luca
②	Drawn	26.02.2021	Luca
Id.	Modification	Date	Name



Description: Modular Connector	
RJ45 Jack / 2x1 / 1000 Base / without EMI TABs	
ASSMANN WSW-No. A-MJT-8-DA-xTP-SGY3	
Drawing-No.	ASS 8850 CO
Customer-No.	rev01
Sheet 3/4	

1

2

3

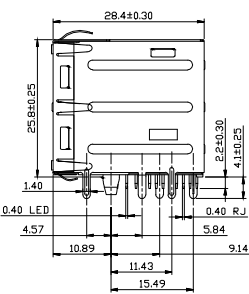
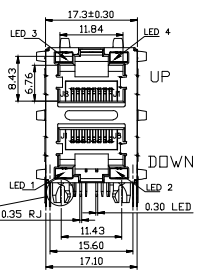
4

5

6

7

A

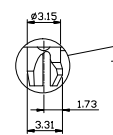


ORDER CODE:

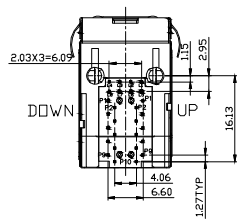
A-MJT-8-DA-xTP-SGY4

G: Gold Flash
 P: 15u" Au
 H: 30u" Au

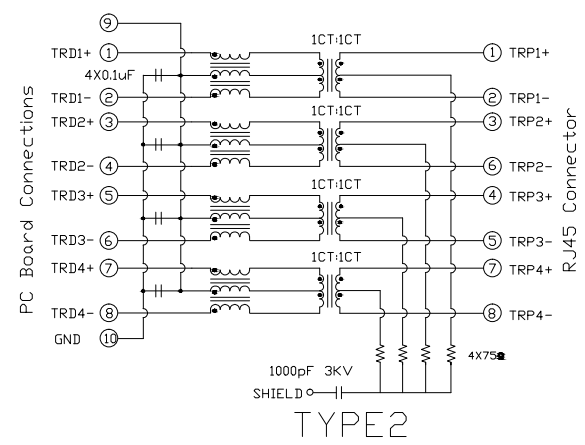
B



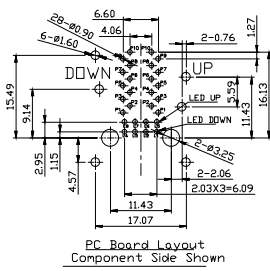
C



Schematic:GIGA



D



E

F

Notes:

1. RJ45 1000 Base-Tx Transformer Jack With Transformer Impedance Resistor/High Voltage Capacitor.
2. Size Same As RJ-45 Modular Jack To Save PCB Space.
3. Reduce EMI Radiation, Improve EMI Performance.
4. Designed For Network Interface Card Application.
5. Designed To Meet IEEE 802.3u Requirement.
6. Designed For 1000 Base Transmission over UTP-5 Cable.

Electrical Specifications:

1. Inductance At 100 KHz, 100 mV 8mADC Bias: 350 uH Min.
2. Leakage Inductance 0.3 uH Max. @100KHz 100mV
3. Insertion Loss: 1.1 dB Max. @ 1-100 MHz
4. Return Loss: 18dB Min. @ 1-30 MHz
 16dB Min. @ 30-60 MHz
 12dB Min. @ 60-80 MHz
 10dB Min. @ 80-100 MHz
5. Cross Talk: 1-100MHz 30dB Min.
6. Common Mode Rejection: 30dB Min. @1-100MHz

Mechanical:

1. Housing Material : HIGH Temp.BK. UL94V-0
2. Contact Material : Phosphor Bronze T=0.30mm
3. Plating : Gold Plating Over Nickel.
4. Operating Life : 750 Cycles Min.
5. Shield Material : 0.20mm THICKNESS BRASS Plating Nickel.

Environmental:

1. Storage: -40°C TO +85°C.
 2. Operation: -0°C TO +70°C.
 3. Wave Soldering Temperature:255~265°C (5~10 Seconds)HIGH TEMP.
- Mates With Modular Plug Conforming To TIA-1096-A

	LED 1	LED 2
DOWN	L4 → GREEN	L2 → YELLOW
	LED 3	LED 4
UP	L8 → GREEN	L6 → YELLOW

RoHS compliant
 Unit: mm

G	Scale	Free				Date	Name	Description: Modular Connector			
	TOLERANCE					Drawn	26.02.2021	Luca	RJ45 Jack / 2x1 / 1000 Base / with EMI TABs		
	X.X	±0.20				Approved		Luca	ASSMANN WSW-No.		
	X.XXX	±0.10							A-MJT-8-DA-xTP-SGY4		
H			①	Add page3&4 for1000 BASE-T version	24.01.2022	Luca			Drawing-No.		
	DIM	TOL	②	Drawn	26.02.2021	Luca			ASS 8850 CO		rev01
	X.X°	±5.0°							Customer-No.		Sheet
	Angle	TOL	Id.	Modification	Date	Name					4/4

1

2

3

4

5

6

7