

1

2

3

4

5

6

7

A

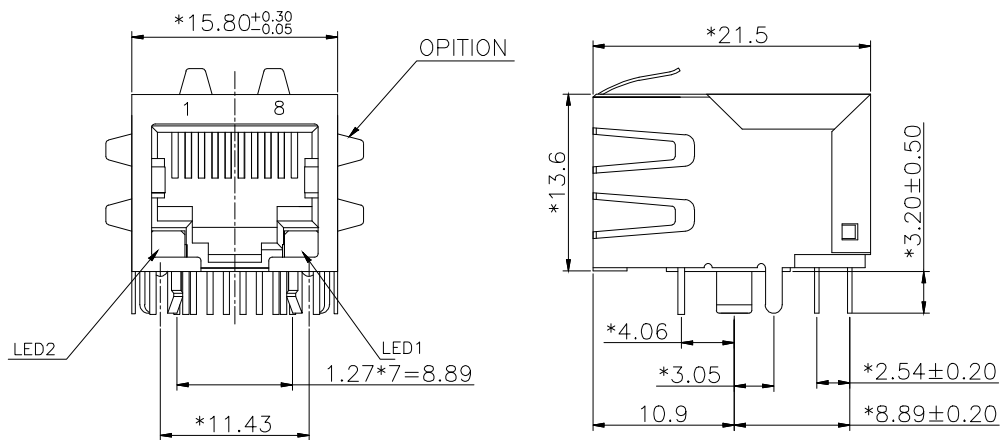
B

C

D

E

F



NOTES

ELECTRICAL:

- 1. VOLTAGE RATING :125 VAC .
- 2. CURRENT RATING : 1.5 AMP.
- 3. CONTACT RESISTANCE : 60 MILLIOHMS MAX.
- 4. INSULATION RESISTANCE : 1000 MEGOHMS MIN. @ 500 VDC.
- 5. DIELECTRIC STRENGTH : 1000 VAC 60 Hz 1MIN.

MECHANICAL:

- 1. SHIELD :BRASS C2680 H t=0.20 mm NICKEL PLATED 30u"~50u" .
- 2. HOUSING : GLASS FILLED POLYESTER OR HIGH TEMP. UL94V-0 BK.
- 3. LED : TRANSPARENT PLASTIC & SILVER COLOR METAL WITH LEAD.
- 4. CONTACT : PHOSPHOR BRONZE t=0.35 mm. SELECTIVE GOLD PLATING OVER 50u" NICKEL.
- 5. OPERATING LIFE : 750 CYCLES MIN.

ENVIRONMENTAL:

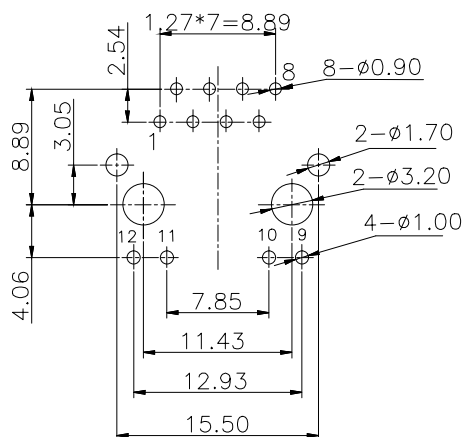
- 1. STORAGE : -40°C TO +85°C.
- 2. OPERATION : -40°C TO +85°C.

MATES WITH MODULAR PLUG CONFORMING TO TIA-1096-A.

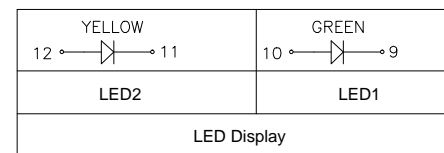
Order Code:

A-MJL-8-EA-GxP-S1

L R= THR Style
T= THT Style



PC BOARD LAYOUT COMPONENT SIDE SHOWN



G

H

RoHS compliant

Unit:mm

Scale Free

TOLERANCE

X.X ±0.20

X.XX ±0.15

X.XXX ±0.10

DIM TOL

X.° ±5°

Angle TOL

Drawn	21.06.2021	Luca
Approved	21.06.2021	Luca
Id.	Modification	Date Name



Date Name

Drawn 21.06.2021 Luca

Approved 21.06.2021 Luca

Description: Modular Connector
RJ45 / LED / SIDE ENTRY JACK / SHIELD

ASSMANN WSW-No.
A-MJL-8-EA-GxP-S1

Drawing-No.
ASS 8983 CO rev00

Customer-No. SHEET 1 / 1

1

2

3

4

5

6

7