

1

2

3

4

5

6

7

NOTES:

MATERIAL

- ① 1.1 Housing Material: High temperature, UL94V-0, BK
 1.2 Contact Material: Phosphor bronze, t=0.35mm
 1.3 Contact Plating: See order code
 ① 1.4 Insert Material: High temperature, UL94V-0, BK
 1.5 LED size: 3.05*1.85*7.0, P=2.54mm

ELECTRICAL

- 2.1 Voltage rating: 125VAC RMS
 2.2 Current rating: 1.5AMP
 2.3 Contact resistance: 30 milliohms max.
 2.4 Insulation resistance: 1000 Mohms min. at 500VDC
 2.5 Dielectric strength: 1000VAC RMS 60Hz, 1minute
 2.6 LED rating:
 Forward voltage: 2.2V typical,
 Reverse voltage: 5.0V max.

ENVIRONMENTAL

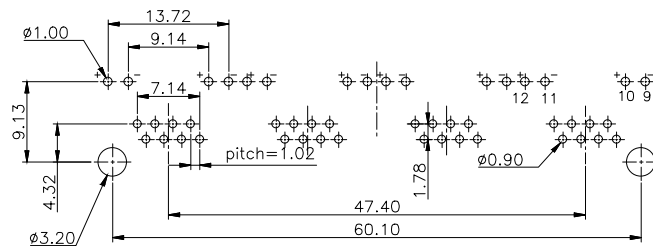
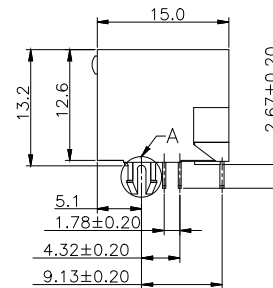
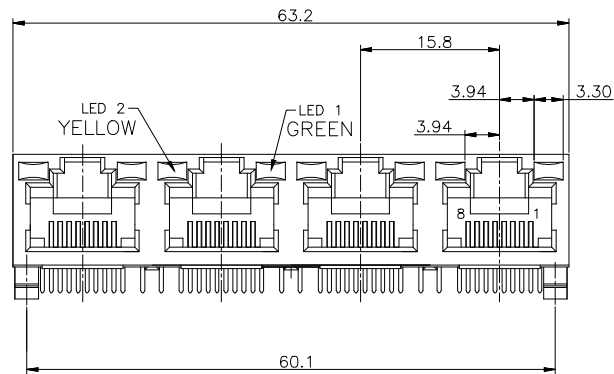
- 3.1 Operation Temperature: -40°C to +85°C
 3.2 Storage Temperature: -40°C to +85°C
 3.3 Operating Life: 750 cycles Min.
 3.4 PCB retention pre-solder: 1 LB min.
 3.5 PCB retention post-solder: 10 LB min.
 3.6 Wave soldering temperature: 260±5°C(5s)

Packing: Tray

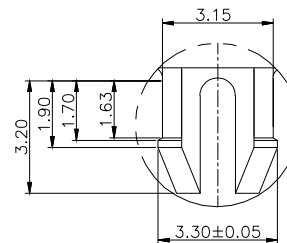
Order code:

A-MJL-8-EA-xTP-WGY5

G: Gold flash /Sn
 P: Au 15u" /Sn
 H: Au 30u" /Sn



PCB Layout
 Component side shown



Detail A

G

RoHS compliant

Unit:mm

Scale	Free
-------	------

TOLERANCE	
-----------	--

X.X	±0.20
-----	-------

X.XX	±0.15
------	-------

X.XXX	±0.10
-------	-------

DIM	TOL
-----	-----

X.°	±5°
-----	-----

Angle	TOL
-------	-----

Id.	Modification	Date	Name
①	Update the raw material	22.09.2023	Segal
②	Drawn	25.05.2021	Daniel

ASSMANN
 WSW components
 A company of BCS

Date	Name
------	------

Drawn	25.05.2021	Daniel
-------	------------	--------

Approved	22.09.2023	Segal
----------	------------	-------

Description: **Modular**
 4 Port / THT / R/A

ASSMANN WSW-No.
 A-MJL-8-EA-xTP-WGY5

Drawing-No. **ASS 8989 CO** rev01

Customer-No. SHEET 1 / 1

1

2

3

4

5

6

7

SV5080