

1

2

3

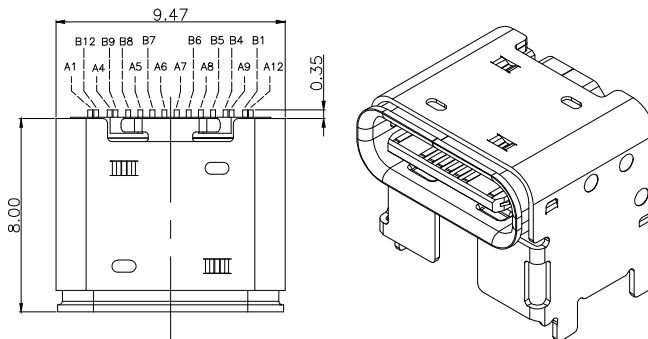
4

5

6

7

A

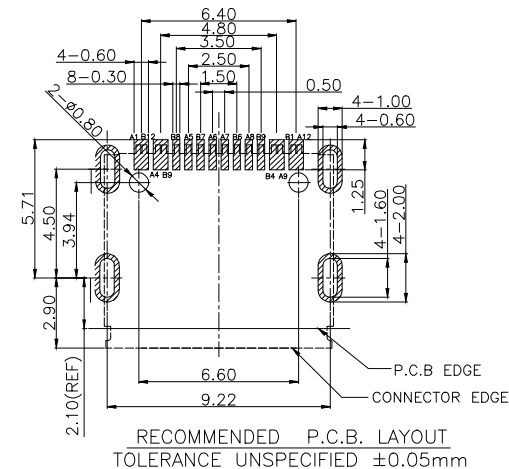
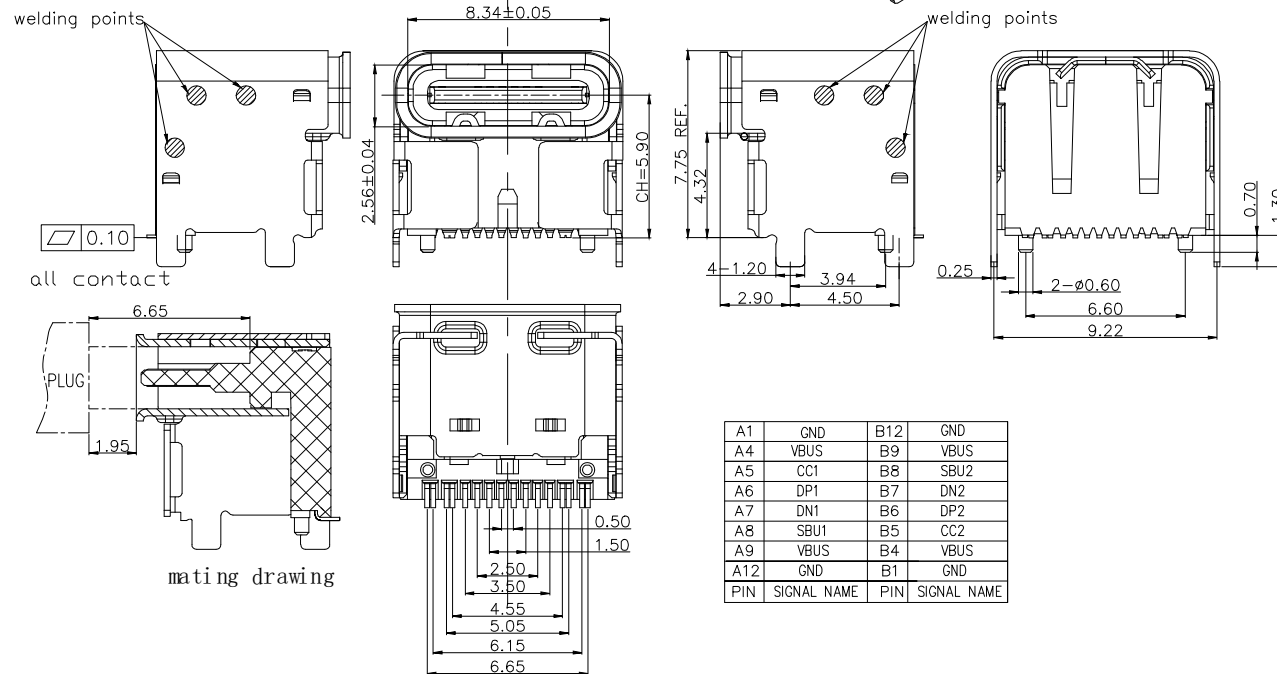


NOTES:

SPECIFICATION:

1. CURRENT RATING: 5.0A MAX
2. VOLTAGE: 100 VAC
3. TEMPERATURE RANGE: -30 °C ~ 85 °C
4. CONTACT RESISTANCE: 40 MILLIONHM MAX
5. INSULATION RESISTANCE: 100 MEGOHMS MIN.
6. LNSERTION FORCE : 5N~20N
7. UNMATING FORCE: 8N~20N
8. DURABILITY: 10,000 CYCLES

B



E

NO.	DESCRIPTION	MATERIAL	REMARKS	QTY
7	OVER SHELL	STAINLESS STEEL SUS304	matte Ni Plated	
6	SHELL	STAINLESS STEEL SUS304	matte Ni Plated	IPCS
5	SHIELDING PLATE	STAINLESS STEEL SUS301	---	IPCS
4	MD	PA9T	BLACK	IPCS
3	CONTACT	COPPER ALLOY C7025-T0M	Au1 /NI/G/F*	1SET
2	CONTACT	COPPER ALLOY C7025-T0M	Au1 /NI/G/F	1SET
1	HOUSING	PA9T	PA9T-BLACK	IPCS

F

RoHS compliant  
Unit: mm

G	Scale	Free	Date	Name	Description: USB Connector				
	TOLERANCE					Drawn	08.06.2022	Luca	USB2.0 TYPE C / FEMALE / 90°
	X.X	±0.38				Approved	08.06.2022	Luca	ASSMANN WSW-No.
	X.XX	±0.25							A-USBC-20F0-EA-KSR01
	X.XXX	±0.15							Drawing-No.
DIM	TOL	ASSMANN WSW components	ASS 9279 CO	rev00					
X°	±2°				Customer-No.	Sheet 1/2			
H	①	Drawn	08.06.2022	Luca					
	Id.	Modification	Date	Name					

1

2

3

4

5

6

7

1

2

3

4

5

6

7

A

B

C

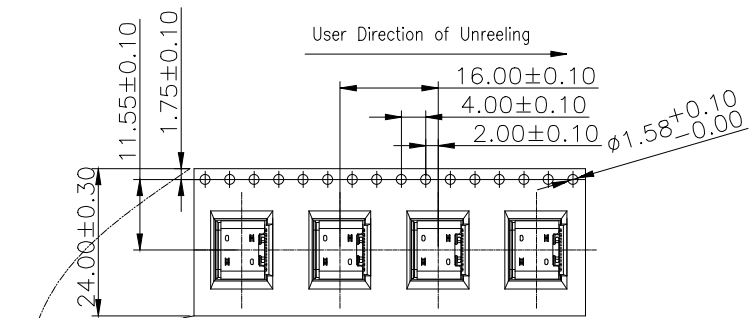
D

E

F

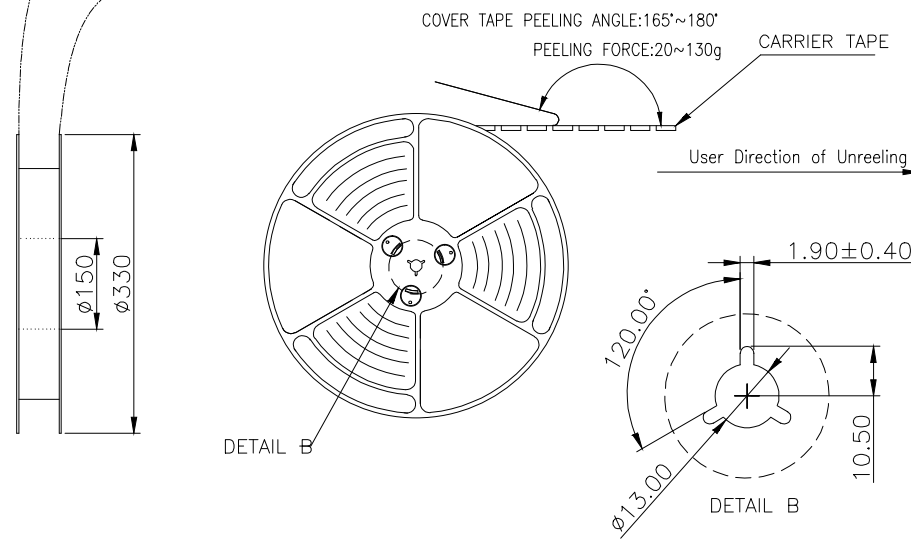
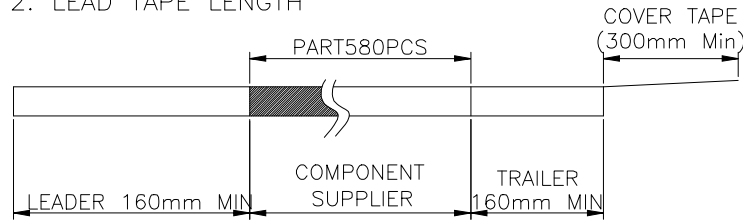
G

H

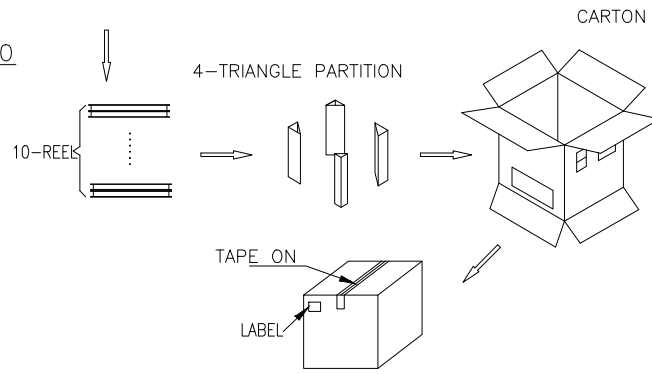


NOTES

- 1. NUMBER OF CONNECTORS:580PCS/REEL
- 2. LEAD TAPE LENGTH



3. QUANTITY:5800PCS/CARTON



**RoHS compliant**  
Unit: mm

Scale	Free						Date	Name
TOLERANCE						Drawn	08.06.2022	Luca
X.X	±0.38					Approved	08.06.2022	Luca
X.XX	±0.25							
X.XXX	±0.15							
DIM	TOL							
X°	±2°							
		①	Drawn	08.06.2022	Luca			
		Id.	Modification	Date	Name			

Description: USB Connector	
USB2.0 TYPE C / FEMALE / 90°	
ASSMANN WSW-No. A-USBC-20F0-EA-KSR01	
Drawing-No.	ASS 9279 CO rev00
Customer-No.	Sheet 2/2

1

2

3

4

5

6

7