

1 2 3 4 5 6 7

A B C D E F

NOTES:
SPECIFICATION:

1. CURRENT RATING: 3.0A MAX
2. DIELECTRIC WITHSTAND VOLTAGE: 100VAC
3. TEMPERATURE RANGE: -30 °C ~ 85 °C
4. CONTACT RESISTANCE: 40 MILLIONHM MAX
5. INSULATION RESISTANCE: 100 MEGOHMS MIN.
6. INSERTION FORCE : 5N~20N
7. UNMATING FORCE: 8N~20N
8. DURABILITY:10,000 CYCLES
9. WATER PROOFNESS: THIS PRODUCT IS BASED ON IPX7.

A1	GND	B12	GND
A4	VBUS	B9	VBUS
A5	CC1	B8	SBU2
A6	DP1	B7	DN2
A7	DN1	B6	DP2
A8	SBU1	B5	CC2
A9	VBUS	B4	VBUS
A12	GND	B1	GND
PIN	SIGNAL NAME	PIN	SIGNAL NAME

5	Epoxy			BLACK
4	Contact 3	2	SUS304 1/2H	Ni Plating T=0.25mm
3	Housing 2	1	PA10T (G.F30%)	BLACK
2	Contact 1&2	16	Phosphor bronze C5191R-EH	Au3u Plating T=0.15mm
1	Housing 1	1	PA10T (G.F30%)	BLACK
ITEM	PART NAME	Q'TY	FINISH	NOTE

RoHS compliant
Unit: mm

Scale	Free
TOLERANCE	
X.X	±0.30
X.XX	±0.20
X.XXX	±0.10
DIM	TOL
X°	±2°
①	Drawn
Id.	Modification

Date	Name	Description: USB Connector
08.06.2022	Luca	USB2.0 TYPE C / FEMALE / 16pin / IPX7
08.06.2022	Luca	ASSMANN WSW-No. A-USBC-20F0-EA-GSR07
08.06.2022	Luca	Drawing-No. ASS 9426 CO rev00
Date	Name	Customer-No.
		Sheet 1/2

1 2 3 4 5 6 7

SV5151

1

2

3

4

5

6

7

A

B

C

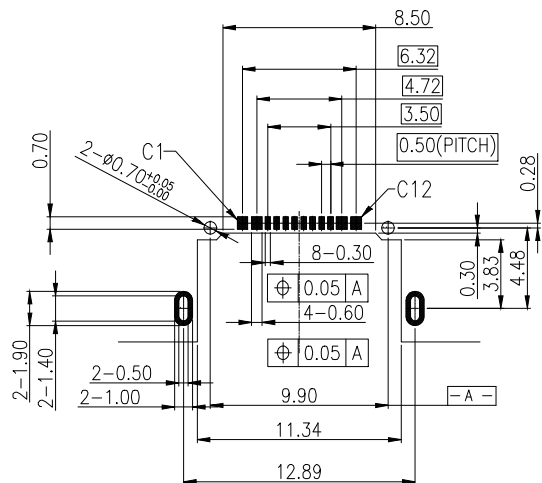
D

E

F

G

H



RECOMMENDED PCB LAYOUT(TOP VIEW)

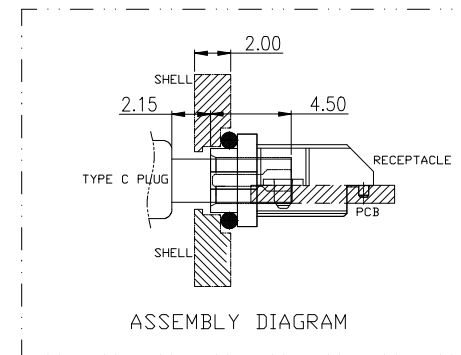
THICKNESS T=1.0mm
DEFAULT TOLERANCE+/-0.05

INTERFACE(FRONT VIEW)

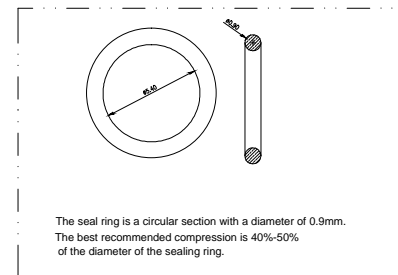
A1	A2	A3	A4	A5	A6	A7	A8	A9	A10	A11	A12
GND			VBUS	CC1	DP1	DN1	SBU1	VBUS			GND
GND			VBUS	SBU2	DN2	DP2	CC2	VBUS			GND
B12	B11	B10	B9	B8	B7	B6	B5	B4	B3	B2	B1

PIN ASSIGNMENT

PIN NO.	A1&B12	A4&B9	B8	A5	B7	A6	A7	B6	A8	B5	A9&B4	A12&B1
SINGAL NAME	GND	VBUS	SBU2	CC1	DN2	DP1	DN1	DP2	SBU1	CC2	VBUS	GND
PCB PAD NO.	C1	C2	C3	C4	C5	C6	C7	C8	C9	C10	C11	C12



ASSEMBLY DIAGRAM



RoHS compliant
Unit: mm

Scale	Free								Date	Name	Description: USB Connector	
TOLERANCE								Drawn	08.06.2022	Luca	USB2.0 TYPE C / FEMALE / 16pin / IPX7	
X.X	±0.30							Approved	08.06.2022	Luca	ASSMANN WSW-No. A-USBC-20F0-EA-GSR07	
X.XX	±0.20										Drawing-No.	
X.XXX	±0.10										ASS 9426 CO	rev00
DIM	TOL										Customer-No.	Sheet 2/2
X°	±2°											
		①	Drawn					08.06.2022		Luca		
		Id.	Modification					Date		Name		



1

2

3

4

5

6

7